

Code ST02	Project E11-A	Release A	TECHNICAL DATASHEET
---------------------	-------------------------	---------------------	----------------------------

ABSOLUTE OPTICAL ENCODER AEN536 (Analog)

GENERAL FEATURES

- Absolute optical encoder (singleturn or multiturn).
- Output protocol: **Analog** (0 ÷ 20 mA, 4 ÷ 20 mA, 0 ÷ 10 V).
- Aluminium flange and housing.
- Radial or axial output with connector M23 12 Pin.



MECHANICAL AND ELECTRICAL CHARACTERISTICS

MECHANICAL <ul style="list-style-type: none"> • Round flange, with centering Ø 36 mm. • Aluminium housing. • Stainless steel shaft. • Ball bearings with special high-sealed screens. • High protection even in harsh environmental conditions. ELECTRICAL <ul style="list-style-type: none"> • Output data: direction. 	Cod. AEN536		
	Resolution	10-12 Bit Singleturn up to 12 Bit Multiturn	
	Max. rotating speed	6000 rpm	
	Max. shaft load	40 N (axial) - 60 N (radial)	
	Shaft diameter (mm)	Ø 6 – Ø 10	
	Operating temperature	-10 °C ÷ 70 °C	
	Storage temperature	-10 °C ÷ 70 °C	
	Vibration resistance (EN 60068-2-6)	100 m/s ² (10 ÷ 2000 Hz)	
	Shock resistance (EN 60068-2-27)	1000 m/s ² (6 ms)	
	Protection class (EN 60529)	IP 64 standard IP 67 optional	
	Torque	≤ 2 Ncm	
	Moment of inertia	30 gcm ²	
	Power supply	10 ÷ 30 V	
	Current consumption	100 mA (ST), 150 mA (MT)	
	Interface / Output	Analog (0 ÷ 20 mA, 4 ÷ 20 mA, 0 ÷ 10 V)	
	Configurability	Direction / no. revolutions	
Electrical connections	see related table		
Weight	400 g (ST), 500 g (MT)		

ORDERING CODE

MODEL	TYPE / OUTPUT	RESOL. Bit (MT)	RESOL. Bit (ST)	POWER SUPPLY	Ø SHAFT	CONNECTOR / CABLE	SIGNAL	CONNECTION	OPTIONS
AEN536	S R	00	12	1030	D10	M02	A3	C	V2

S = singleturn	00 = if ST	10 = 10 Bit	1030 = 10÷30 V	D06 = ø6 mm	CG = M23 12 Pin	A1 = 0÷20 mA	C = cable	No cod. = standard
M = multiturn	12 = 12 Bit*	12 = 12 Bit		D10 = ø10 mm	Mnn = cable length in m	A2 = 4÷20 mA	n = connection number	V2 = IP 67
R = radial					M02 = 2 m (standard)	A3 = 0÷10 V		
A = axial								

* Multiturn resolution from 1 to 12 Bit

Example **ABSOLUTE OPTICAL ENCODER AEN536 SR 0012 1030 D10 M02 A3 C V2**

Code ST02	Project E11-A	Release A	TECHNICAL DATASHEET
---------------------	-------------------------	---------------------	----------------------------

CABLE AND ELECTRICAL CONNECTIONS

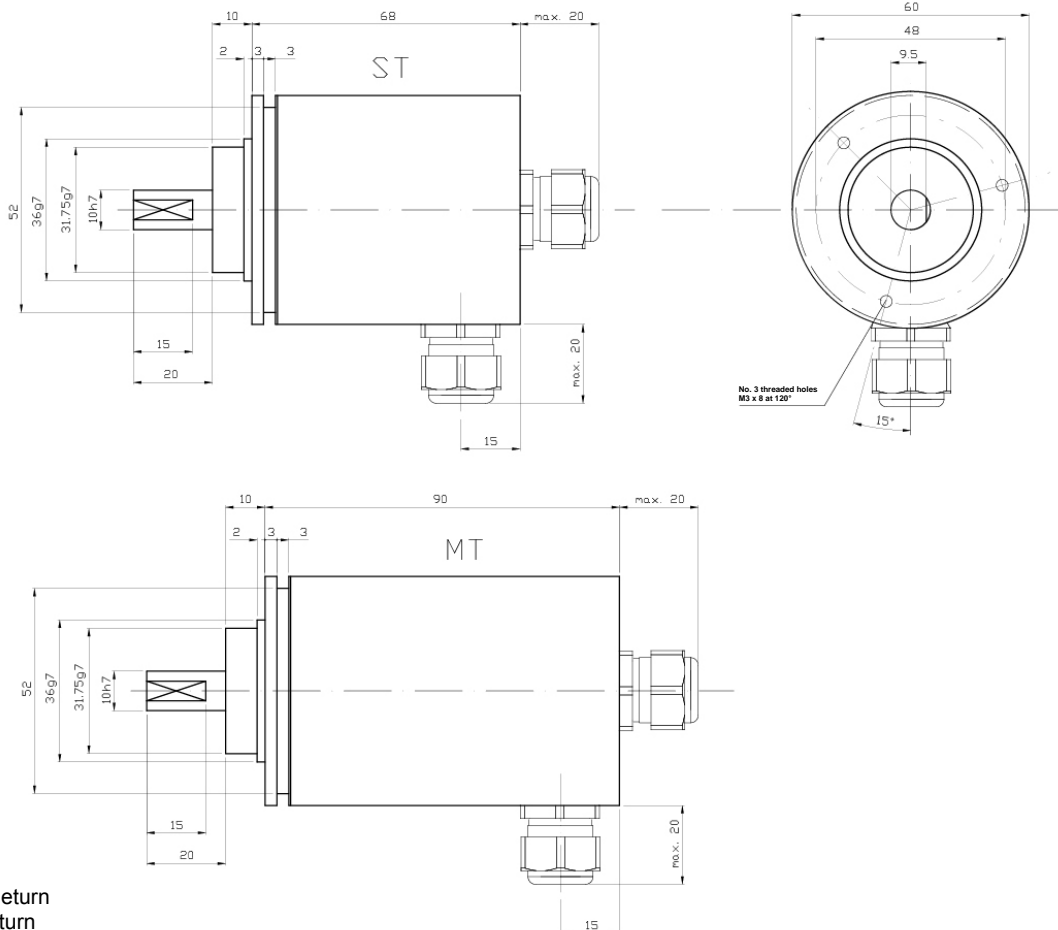
Encoder supplied with M23 12 Pin connector

CONNECTION	
N. Pin	Signals
1	0 V
2	Vcc
3 (A1, A2)	I+
4 (A1, A2)	I-
5 (A3)	V+
6 (A3)	V-
7	DIR
Shield	Shield

Encoder supplied with cable

CONNECTION (A1, A2, A3)		
Color	A1, A2	A3
Yellow	0 V	0 V
White	Vcc	Vcc
Brown	I+	V+
Green	I-	V-
Grey	DIR	DIR
SCH	Shield	Shield

DIMENSIONS



WHAT TO AVOID

- Any mechanical working (cutting, drilling, milling, etc.).
- Any modification of the encoder body or shaft.
- Any improper use, not complying with the technical instructions provided by the Manufacturer.
- External shocks or stresses.

