

Code ST28	Project A25-B	Release B	Title SAFETY DATASHEET
---------------------	-------------------------	---------------------	----------------------------------

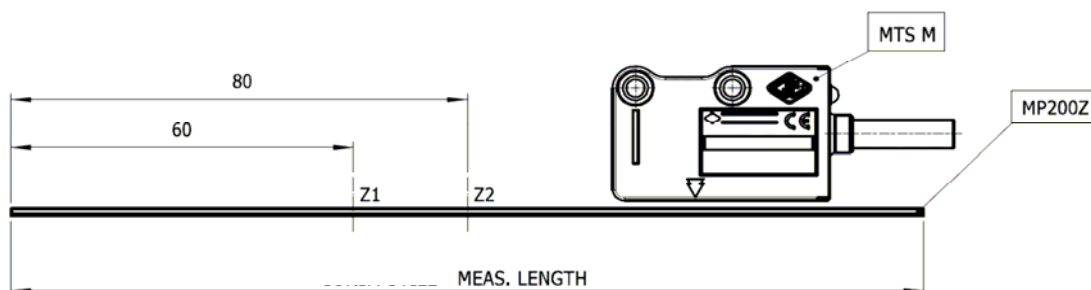
MAGNETIC BAND MP200Z

GENERAL FEATURES

- MAGNETIC BAND MP200 (to use only with MTS MxxxZ) composed by a magnetic strip which is polarized at regular distances of 2+2 mm and supported by a stainless steel carrier. Extremely easy to mount on the operating machine.
- MAGNETIC BAND MP200Z can have positioned reference signals upon request, from left or right, at pitch of 4mm or multiples.
- As an optional, the magnetic band can be supplied with a non-magnetic stainless steel cover for protection purposes; for its fixing an adhesive tape is pre-mounted.



EXAMPLE.
Zero requested at 60mm and 80mm from left.



MECHANICAL FEATURES

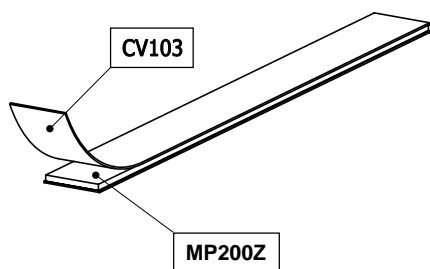
Pole pitch	2+2 mm	
Accuracy at 20°C	± 30 µm/m <i>standard</i>	± 15 µm/m <i>special</i>
Width	10 mm	
Thickness	1.3 mm	
Maximum length	50 m	
Thermal expansion	10.5 x 10 ⁻⁶ °C ⁻¹ T ref. = 20°C ± 0.1°C	
Bending radius	130 mm _{MIN}	
Operating temperature	0° ÷ 70°C	
Storage temperature	-20° ÷ 80°C	
Weight of magnetic band	65 g/m	
Weight of cover	25 g/m	

ORDERING CODE

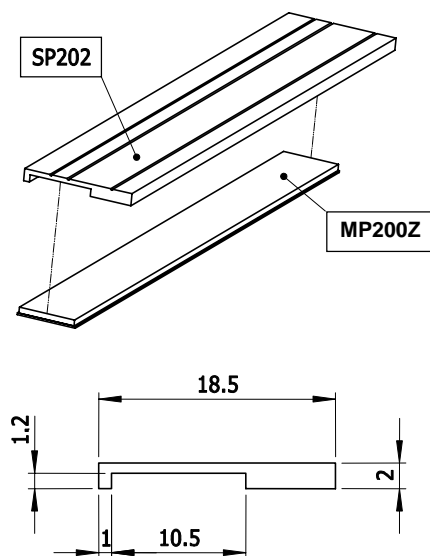
MODEL	LENGTH (mm)
MP200Z	xxxxx

Example ↻ **MAGNETIC BAND MP200Z 11000 Zero 60mm and 80mm Left**

Code ST28	Project A25-B	Release B	Title SAFETY DATASHEET
---------------------	-------------------------	---------------------	----------------------------------

ACCESSORIES
CV103


Stainless steel cover for protection
 10 mm width - 0.3 mm thickness
 To be placed on the magnetic tape

SP202


Aluminium support
 To be fixed on the machine to support the magnetic band

ATTENTION!
 It is **NOT** possible to use the support SP202 if the magnetic band MP200Z is already covered by CV103.

ORDERING CODE OF ACCESSORIES

MODEL	LENGTH (mm)
CV103	XXXXX
SP202	XXXXX

INSTALLATION AND HANDLING

1. Degrease the surface where you want to place the magnetic band by using alcohol and dry it carefully.
2. Place the band and keep it aligned with the reader head ensuring that the magnetic part is just next to the sensor.
3. Place the cover CV103 or the support SP202, if provided.
4. The max. adhesion will be achieved after 48 hours from sticking.
5. Keep other magnetic parts clear from the tape.
6. Store and roll up the tape keeping the magnetic strip on the outside, in order to avoid tensions.