

Code	Project	Release	Title
<b>ST30</b>	<b>A25-B</b>	<b>A</b>	<b>TECHNICAL DATASHEET</b>

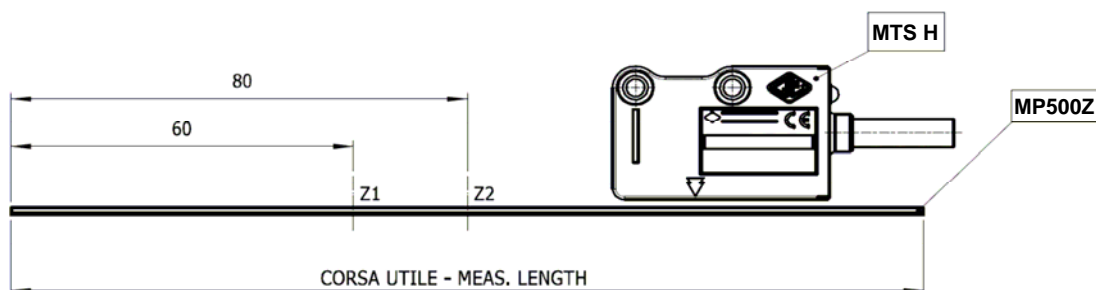
## MAGNETIC BAND MP500Z

### GENERAL FEATURES

- MAGNETIC BAND MP500Z is composed of a magnetic strip which is polarized at regular distances of 5+5 mm and supported by a stainless steel carrier. Extremely easy mounting to the operating machine.
- MAGNETIC BAND MP500Z can have positioned reference signals upon request, from left or right, at pitch of 10 mm or multiples.
- As an optional, the magnetic band can be supplied with a non-magnetic stainless steel cover for protection purposes; for its fixing an adhesive tape is pre-mounted.



**EXAMPLE.**  
Zero requested at 60mm and 80mm from left.



**IMPORTANT:** in order not to compromise the accuracy of the system, the magnetic band MP500Z must be longer than machine run of at least 40 mm from each side.

### MECHANICAL FEATURES

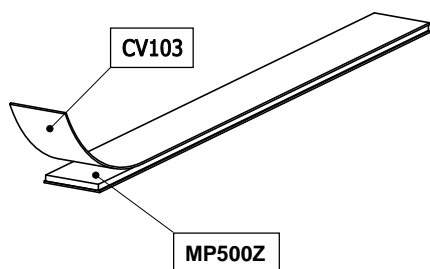
Pole pitch	5+5 mm	
Accuracy at 20° C	± 30 µm/m <i>standard</i>	± 15 µm/m <i>special</i>
Width	10 mm	
Thickness	1.3 mm	
Maximum length	25 m	
Thermal expansion	10.5 x 10 <sup>-6</sup> °C <sup>-1</sup> T ref. = 20°C ± 0.1°C	
Bending radius	130 mm <sub>MIN</sub>	
Operating temperature	0° ÷ 70°C	
Storage temperature	-20° ÷ 80°C	
Weight of magnetic band	65 g/m	
Weight of cover	25 g/m	

### ORDERING CODE

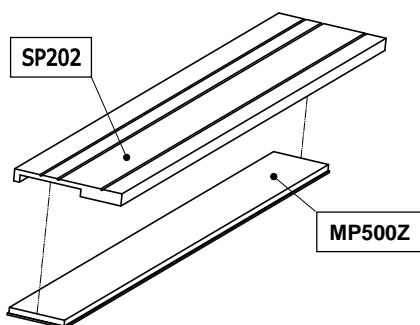
MODEL	LENGTH (mm)
<b>MP500Z</b>	<b>xxxxx</b>

Example ↷ **MAGNETIC BAND MP500Z 11000 Zero 60mm and 80mm Left**

Code <b>ST30</b>	Project <b>A25-B</b>	Release <b>A</b>	Title <b>TECHNICAL DATASHEET</b>
---------------------	-------------------------	---------------------	-------------------------------------

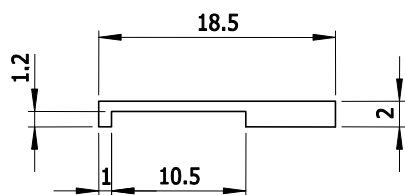
**ACCESSORIES**
**CV103**


**Stainless steel cover for protection**  
 10 mm width - 0.3 mm thickness  
 To be placed on the magnetic tape

**SP202**


**Aluminium support**  
 To be fixed on the machine to support the magnetic band

**ATTENTION!**  
 It is **NOT** possible to use the support SP202 if the magnetic band MP500 is already covered by CV103.


**ORDERING CODE OF ACCESSORIES**

MODEL	LENGTH (mm)
CV103	XXXXX
SP202	XXXXX

**INSTALLATION AND HANDLING**

1. Degrease the surface where you want to place the magnetic band by using alcohol and dry it carefully.
2. Place the band and keep it aligned with the reader head ensuring that the magnetic part is just next to the sensor.
3. Place the cover CV103 or the support SP202, if provided.
4. The max. adhesion will be achieved after 48 hours from sticking.
5. Keep other magnetic parts clear from the tape.
6. Store and roll up the tape keeping the magnetic strip on the outside, in order to avoid tensions.