


ST02	A56-A	A	
GVS 608 D		DRIVE-CLiQ	

-
- DRIVE-CLiQ
- 0.1 ± 1
-
-
-
-
-
-
-

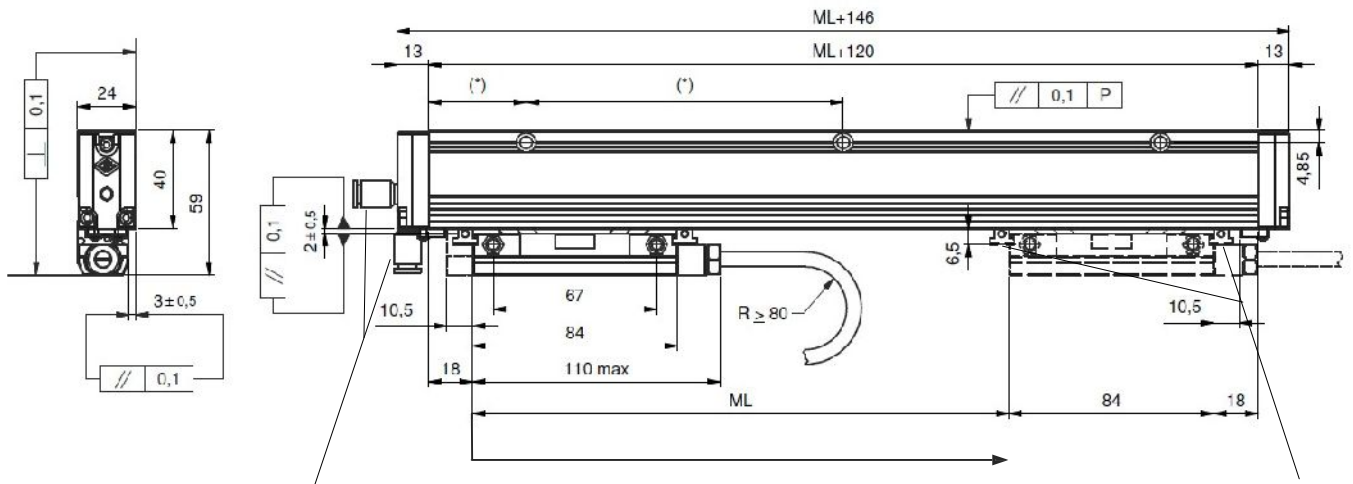
Siemens.



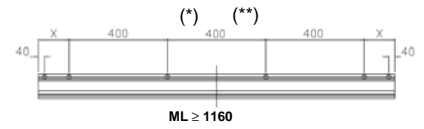
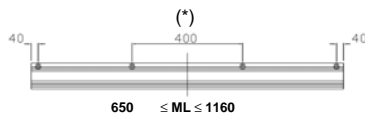
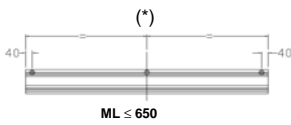
	Cod. GVS 608	D
: 40x24 <0.2 ∅ 29x87 M12 8 pins.		20  $8 \times 10^{-6} \text{ } ^\circ\text{C}^{-1}$
		Siemens DRIVE-CLiQ
		0.1
		± 3 * ± 1 *
	ML	70, 120, 170, 220, 270, 320, 370, 420, 470, 520, 570, 620, 720, 770, 820, 920, 1020, 1140, 1240, 1340, 1440, 1540, 1640, 1740, 1840, 2040, 2240, 2440, 2640, 2840, 3040, 3240 _{MAX}
		120 /
		30 / ²
		≤ 2.5 N
	(EN 60068-2-6)	100 / ² [55 + 2000]
	(EN 60068-2-27)	150 / ² [11 ms]
	(EN 60529)	IP 54 IP 64
		0 °C + 50 °C
		-20 °C + 70 °C
		20% + 80% ()
		©
		435 + 1290 /

* ± X

ST02	A56-A	A	
-------------	--------------	----------	--



P =
ML =



(**)

40

X > 175

GVS 608	D01A	03240	V	D1	M0.5 / S	PR
----------------	-------------	--------------	----------	-----------	-----------------	-----------

D01 = 0.1
A =

03240 = ML_{MAX}

D1 = DRIVE-CLIQ

M0.5 = 0.5 ()
S = 10-

No cod. =
SPnn = nn
PR =



GVS 608 D01A 03240 V D1 M0.5/S PR