

ST04	A30-B	A	
-------------	--------------	----------	--

VISION 110S

- LCD 6 ½
- (92x44)
- .4
- M3 M4.
- **MP200 MP100.**



	LCD 6 ½ h = 13	
	1.0 - 0.1 - 0.05 - 0.01 0.01 - 0.001 - 1/16 - 1/32 - 1/64 1° - 0.1° - 0.01° - 0.001°	
	± 1/2	
	1 .LR6 AA	2 .LR6 AA (1.5 ÷ 5)
	0 ÷ 50°C	
	-20° ÷ 70°C	
	95% ()	
	100	
(EN 60068-2-6)	25 / ² [55 ÷ 2000]	
(EN 60529)	IP 43	
	. VI110S 1	. VI110S 2
	2 /	4 /
/	0.1 ÷ 0.4	0.3 ÷ 2.0
	± 15	± 20
-	MP100 (1+1)	MP200 (2+2)
(EN 60068-2-6)	300 / ² [55 ÷ 2000]	
(EN 60068-2-27)	1000 / ² (11)	
(EN 60529)	IP 67	
- 6- ø3.4		
	25	
	4 / 3.5 / 3 / 2.5 / 2 / 1.5 / 1 / 0.5 / 0.2	

--	--	--	--

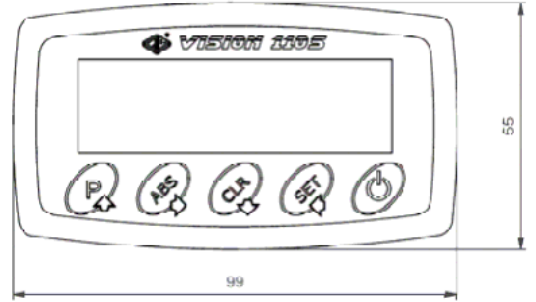
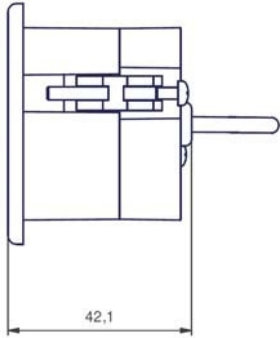
VI110S	2	B	M02
---------------	----------	----------	------------

2 = 2+2
1 = 1+1

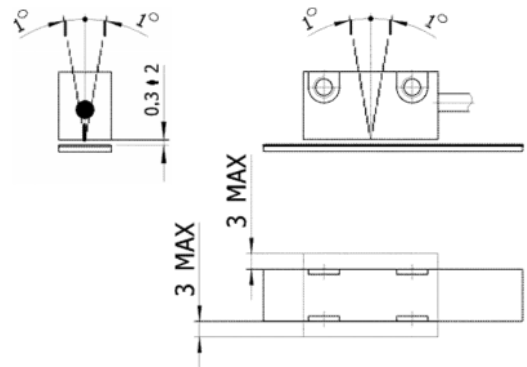
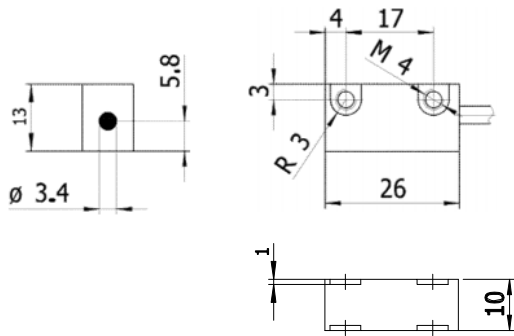
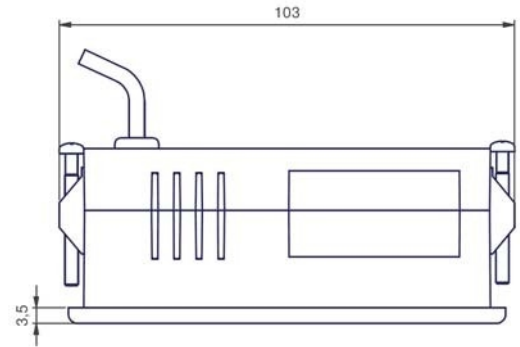
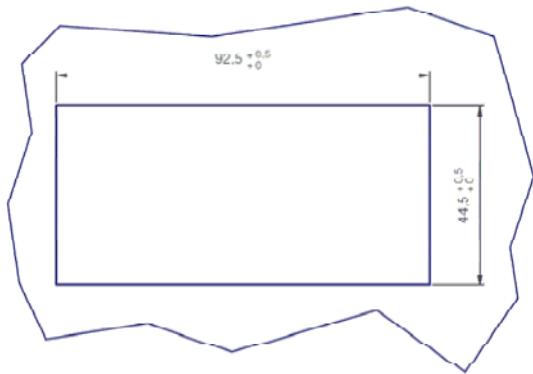
B =
E = (1.5:5)

M02 = 2
M01 = 1
M0.5 = 0.5

ST04	A30-B	A	
-------------	--------------	----------	--



ШАБЛОН



!!	
<ol style="list-style-type: none"> 1. 2. 3. 4. 	