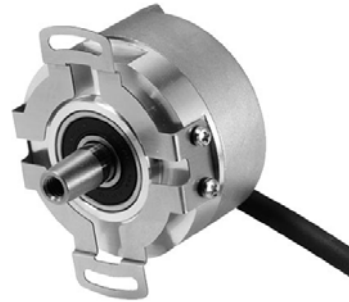


Code ST02	Project E09-A	Release B	TECHNICAL DATASHEET
---------------------	-------------------------	---------------------	----------------------------

OPTICAL ENCODER EN53

GENERAL FEATURES

- Optical rotary encoder.
- Bidirectional signals with zero pulse.
- Aluminium flange and housing.
- Radial output by cable.
- Compact design.
- Suitable for motor feedback.



MECHANICAL AND ELECTRICAL CHARACTERISTICS

MECHANICAL <ul style="list-style-type: none"> • Flange and housing made of aluminium. • Stainless steel shaft. • Ball bearings with special high-sealed screens. • High protection even in harsh environmental conditions. ELECTRICAL <ul style="list-style-type: none"> • Protection against short circuits. • Protection against inversion of polarity. • High stability of output signals. • Reading device with infra-red light emitter and receiving photodiodes. • SinCos A and B output signals, with phase displacement of 90° electrical. 	Cod. EN53	
	Pulses per revolution	2048 ppr
	Max. rotating speed	continuous 12000 rpm momentary 15000 rpm
	Max. shaft load	20 N (axial) - 90 N (radial)
	Shaft diameter (mm)	tapered solid shaft Ø 10 (10/1)
	Operating temperature	-15 °C ÷ 120 °C
	Storage temperature	-20 °C ÷ 80 °C
	Vibration resistance (EN 60068-2-6)	≤ 100 m/s ² (10 ÷ 2000 Hz)
	Shock resistance (EN 60068-2-27)	≤ 1000 m/s ² (6 ms)
	Protection class (EN 60529)	IP 40
	Torque	≤ 1 Ncm
	Output	SinCos 1 Vpp
	Power supply	5 V ± 10%
	Max. frequency	500 kHz
	Max. current consumption (no load)	120 mA
	Standard cable length	1 m
Electrical connections	see related table	
Protections	inversion of polarity and short circuits	
Weight	450 g	

ORDERING CODE

MODEL	CABLE OUTPUT	PPR	POWER SUPPLY	Ø SHAFT	CABLE	OUTPUT	CONNECTION	OPTIONS
EN53	HR	2048	05V	D10	M01	SW	C	
	HR = radial	2048 = 2048 ppr	05V = 5 V	D10 = ø10 mm tapered 10/1	M.5 = 0.5 m M01 = 1 m	SW = 1 Vpp	C = cable	No cod.= standard

Example  **OPTICAL ENCODER EN53 HR 2048 05V D10 M01 SW C**

Code ST02	Project E09-A	Release B	TECHNICAL DATASHEET
---------------------	-------------------------	---------------------	----------------------------

CABLE AND ELECTRICAL CONNECTIONS

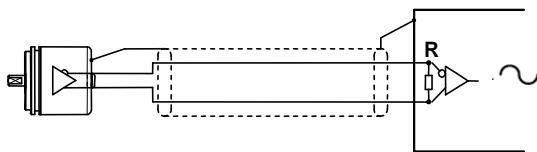
Cable 8 wires $\varnothing = 6.0$ mm, PVC external sheath

Conductors section:
 - power supply: 0.35 mm^2
 - signals: 0.14 mm^2

NOTE
 The cable's bending radius should not be lower than 60 mm.

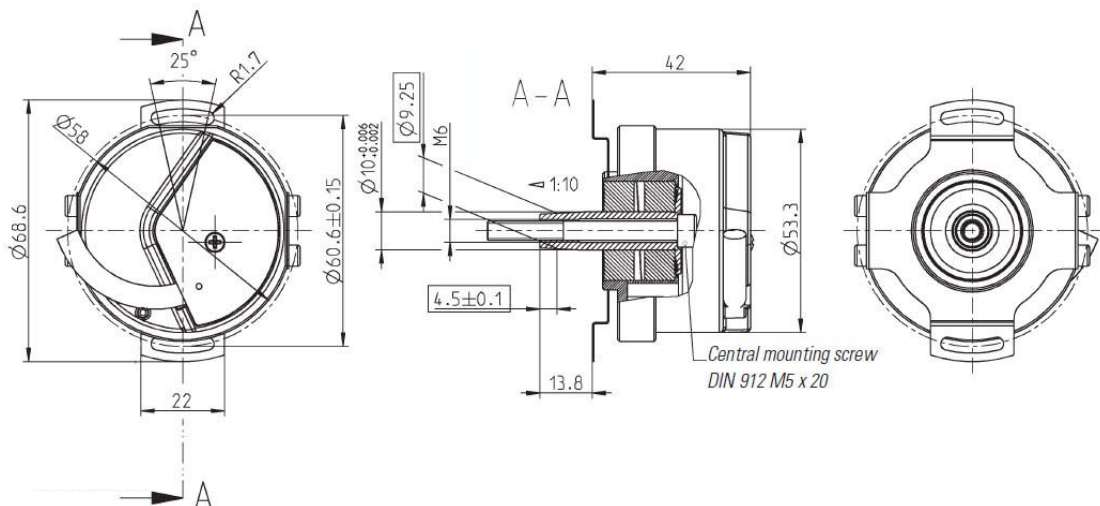
SINE WAVE (1 Vpp)		
PIN No. ON TERMINAL BLOCK	CONDUCTOR COLOR	SIGNAL
Row a - 1		n.c.
Row a - 2	Orange	\bar{A}
Row a - 3	Blue	0 V
Row a - 4	Yellow	\bar{Z}
Row a - 5	Light blue	\bar{B}
Row a - 6		n.c.
Row a - 7	Red	+5 V
Row b - 1		n.c.
Row b - 2		n.c.
Row b - 3	White	B
Row b - 4	Brown	Z
Row b - 5	Shield	GND
Row b - 6	Green	A
Row b - 7		n.c.

SHIELDED CABLE



POWER SUPPLY	R
5 V 1 Vpp	120 Ω

DIMENSIONS AND RECOMMENDED FIXING



WHAT TO AVOID

- Any mechanical working (cutting, drilling, milling, etc.).
- Any modification of the encoder body or shaft.
- Any improper use, not complying with the technical instructions provided by the Manufacturer.
- External shocks or stresses.

