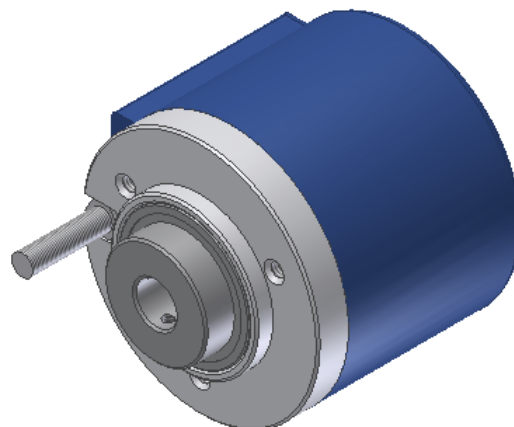


Code	Project	Release	Title
ST14	A33	A	TECHNICAL DATASHEET

OPTICAL ENCODER EN58SC

GENERAL FEATURES

-
-
-



MECHANICAL AND ELECTRICAL FEATURES

MECHANICAL • • • •	Code EN58SC	PP	LD	OC
	Pulses per revolution			
ELECTRICAL • • • • • •	Max. rotating speed			
	Max. load on shaft			
	Shaft (diameter A) mm			
	Hole diameter A depth			
	Protection class			
	Operating temperature			
	Storage temperature			
	Humidity			
	Power supply			
	Max. consumption at 5V (with no load)			
	Max. output current (each channel)			
	Max. frequency			
	Output			
Standard length of cable				
Electrical connections				
Electrical protection				
Weight (according to model)				

ORDERING CODE

EN58SC	HR	S	xxxxx	05V	D06	M01	LD	C
---------------	-----------	----------	--------------	------------	------------	------------	-----------	----------

HR HA	No code S	05V 0528	D06 D08 9.52 D10 D12 D14 D15	M.5 M01 CE CF CG	LD PP ON OP	C n
----------	--------------	-------------	--	------------------------------	----------------------	--------

Example **OPTICAL ENCODER EN58SC HRS 01000 05V D08CE PP2**

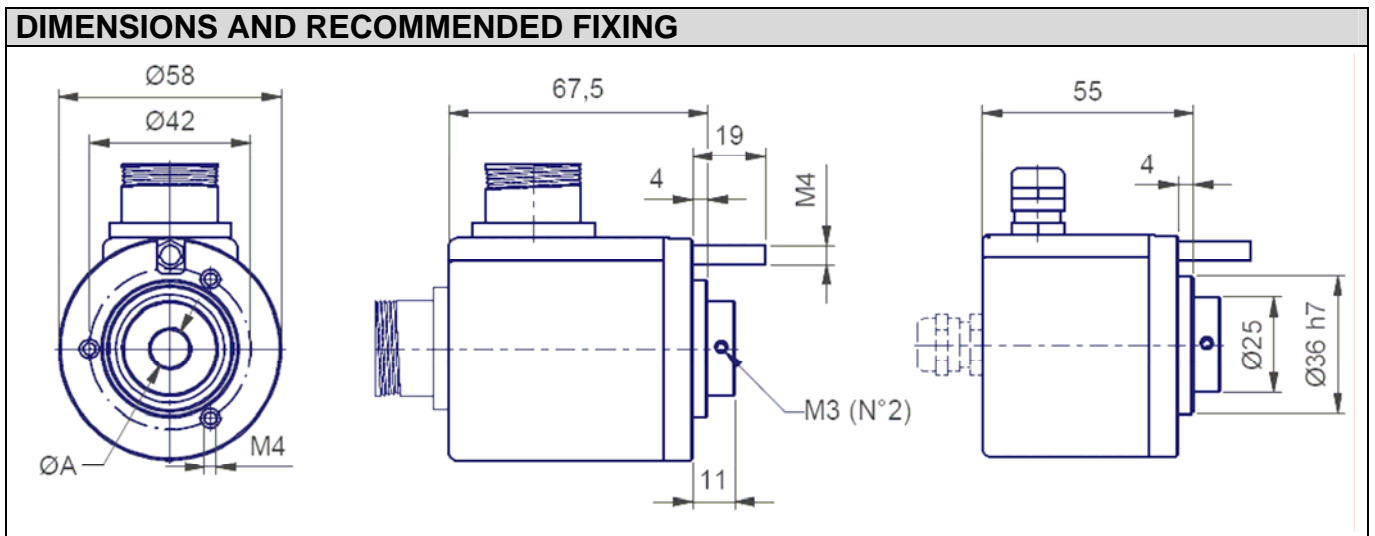
Code ST14	Project A33	Release A	Title TECHNICAL DATASHEET
---------------------	-----------------------	---------------------	-------------------------------------

Cable 8 cores Ø = 6.5 mm, PVC external sheath Wires section:	PP / OC		LD	
	SIGNAL	WIRE COLOUR	SIGNAL	WIRE COLOUR
Cable 5 cores Ø = 5.4 mm, PVC external sheath Wires section:				

NOTES:

	LINE DRIVER CONNECTION	
	POWER SUPPLY	RL
		Ω
		Ω

In case of cable extension, the electrical connection between the body of connectors must be ensured.



WHAT TO AVOID	
<ul style="list-style-type: none"> • • • • 	