

Code ST02	Project A30	Release B	Title TECHNICAL DATASHEET
---------------------	-----------------------	---------------------	-------------------------------------

DIGITAL READOUT ME110

GENERAL FEATURES

- BATTERY POWERED digital readout with the following fixing ways:
 - panel, mountable by relevant brackets
 - surface, mountable by metallic supports.
- FLEXIBLE CABLE max. length 4 meters.
- MAGNETIC READER HEAD of small dimensions.
- Fixing by M3 or M4 screws.
- Wide aligning tolerances.
- To be used with MAGNETIC BAND **MP200** or **MP100**.



MECHANICAL AND ELECTRICAL FEATURES

Display	LCD 6 ½ digits h = 13 mm and negative sign
Programmable resolution	1.0 - 0.1 - 0.05 - 0.01 mm 0.01 - 0.001 - 1/16 - 1/32 - 1/64 inch 1° - 0.1° - 0.01° - 0.001° angular
Repeatability	± 1/2 digit
Power supply	1 LR6 AA bat. or 2 LR6 AA bat. or external (1.5 ÷ 5 V)
Operating temperature	0 °C ÷ 50 °C
Storage temperature	-20 °C ÷ 70 °C
Relative humidity	95% (not condensed)

READOUT

Weight	175 g
Vibration resistance (EN 60068-2-6)	25 m/s ² [55 ÷ 2000 Hz]
Protection class (EN 60529)	IP 43

TRANSDUCER

	mod. ME110 1	mod. ME110 2
Max. speed	2 m/s	4 m/s
Sensor – magnetic band gap	0.1 ÷ 0.4 mm	0.3 mm ÷ 2 mm
Accuracy	± 15 µm	± 20 µm
Magnetic band to be used with – pole pitch	MP100 (1+1mm)	MP200 (2+2mm)
Vibration resistance (EN 60068-2-6)	300 m/s ² [55 ÷ 2000 Hz]	
Shock resistance (EN 60068-2-27)	1000 m/s ² [11 ms]	
Protection class (EN 60068-2-27)	IP 67	

CABLE - 6 cores ø 3.4 mm

Minimum bending radius	25 mm
Length	4 / 3.5 / 3 / 2.5 / 2 / 1.5 / 1 / 0.5 / 0.2 m

ORDERING CODE

MODEL	POLE PITCH	VERSION	POWER SUPPLY	CABLE
ME110	2	C	2B	M02

2 = 2+2mm
1 = 1+1mm

C = closed
F = front part only

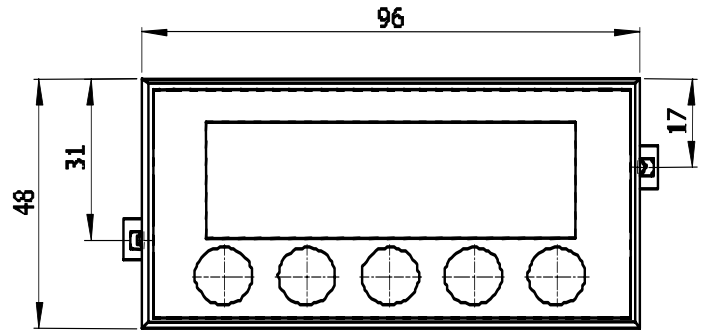
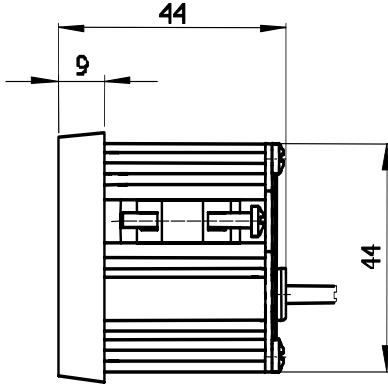
1B = one battery
2B = two batteries
E = external (1.5+5V)

M04 = 4 meters
M01 = 1 meter
M0.5 = 0.5 meters

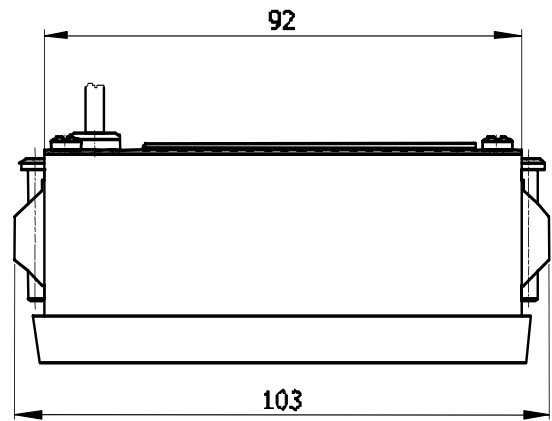
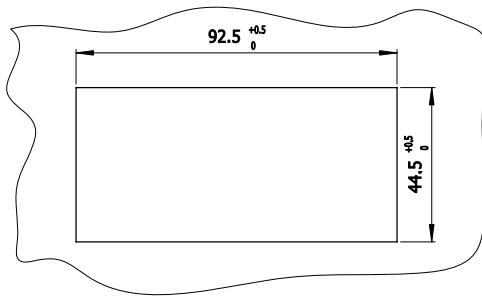
Example  **COUNTER ME110 2C 2B M02**

Code	Project	Release	Title
ST02	A30	B	TECHNICAL DATASHEET

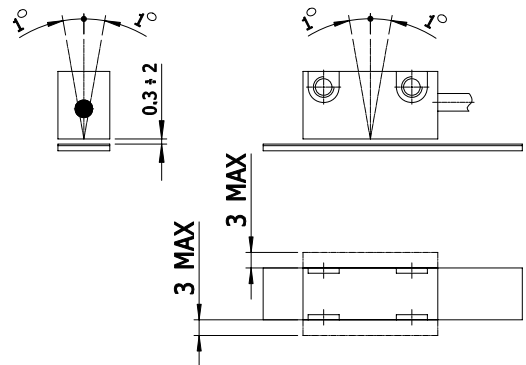
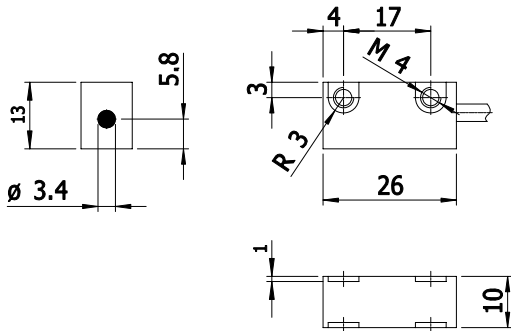
READOUT DIMENSIONS



DRILLING TEMPLATE



SENSOR DIMENSIONS



WARNING!!

WHAT TO AVOID

1. All mechanical reworks (cutting, drilling, face milling a.s.o.).
2. All mishandling.
3. Impacts and external stress.
4. Exposure to external magnetic fields.

