

Code ST02	Project A31	Release B	Title TECHNICAL DATASHEET
---------------------	-----------------------	---------------------	-------------------------------------

DIGITAL READOUT ME518

GENERAL FEATURES

- The **ME518** digital readout, if connected to suitable transducers (rotary encoders or optical and magnetic scales), allows length or thickness measures, as well as the number of pieces processed to be counted and displayed, on any type of operating machine.
- MERIT 518 displays up to a maximum of 8 digits, with decimal point positionable according to the need.
- The applications are very diversified: ME518 can be applied not only to machine-tools but also in several sectors, such as wood, sheet metal, marble and textile.



MECHANICAL AND ELECTRICAL FEATURES

Model	Merit ME518
Display	8 high-efficiency digits h = 13 mm
Signal input	2 square waves out of phase $90^\circ \pm 5^\circ$ + index TTL 05 Vdc (140 mA _{max}) or 12 Vdc (120 mA _{max})
Max. input frequency	250 kHz
Linear resolution	200 - 100 - 50 - 20 - 10 - 5 - 2 - 1 - 0.5 μ m
Angular resolution	$1^\circ - 0.5^\circ - 0.2^\circ - 0.1^\circ - 0.05^\circ - 0.02^\circ - 0.01^\circ - 0.005^\circ - 0.002^\circ - 0.001^\circ$
Memory	permanent for configuration and "user" settings
Power supply	230 Vac $\pm 10\%$ - 50/60 Hz / 110 Vac $\pm 10\%$ - 60 Hz / 24 Vac $\pm 10\%$ - 50/60 Hz
Current consumption	30 mA (230 Vac) - 60 mA (110 Vac) - 300 mA (24 Vac)
Outputs	2 N.O. relay outputs - I _{MAX} 3A - V _{MAX} 250 Vac
Inputs	2 auxiliary inputs
Connections	by removable terminal block
Dimensions	front: 48x96 mm - depth: 140 mm
Operating temperature	0° + 50° C
Storage temperature	-20° ÷ 70° C
Weight	450 g

ORDERING CODE

MODEL	POWER SUPPLY	INPUT VOLTAGE	RESOLUTION	OPTIONS
ME518	230	12	1	UR2

230 = 230 V
110 = 110 V
24 = 24 V

12 = 12V
05 = 5V

10 = 0,1 mm
100 = 0,01 mm
5 = 0,005 mm
1 = 0,001 mm
.....

-S = SERIAL OUTPUT RS-232
UR2 = RELAY OUTPUT

Example  **COUNTER ME518 230/05 1 UR2**

Code ST02	Project A31	Release B	Title TECHNICAL DATASHEET
---------------------	-----------------------	---------------------	-------------------------------------

CONNECTIONS

CONNECTIONS	1	2	3	4	5	6	7	8	9	10	11	12	13
TERMINAL BOARD	P. S.	P. S.	C1	NA1	C2	NA2	V+	GND	LOAD QUOTA	/	B	A	Z

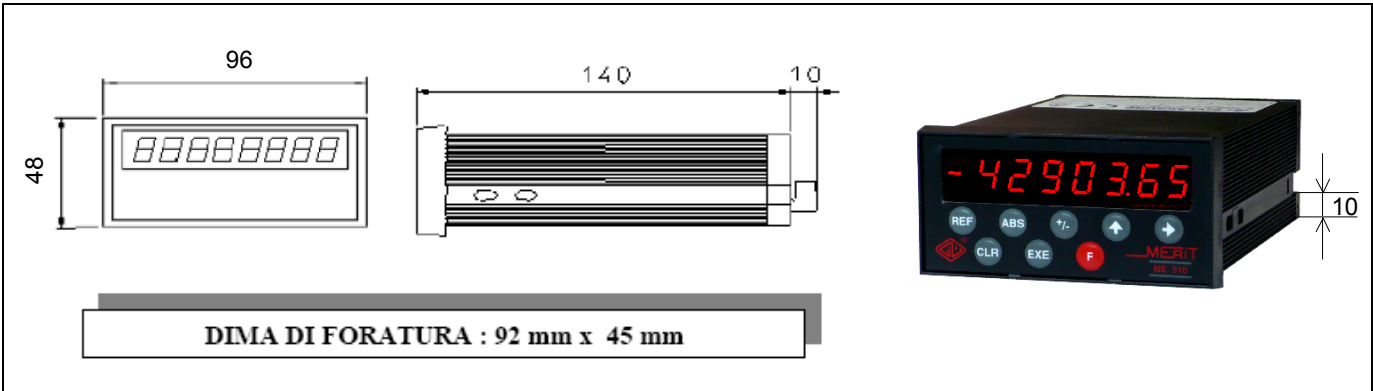
KEY

P. S.	= Power supply
C1	= Common contact RELAY 1
NA1	= N.O. contact RELAY 1
C2	= Common contact RELAY 2
NA2	= N.O. contact RELAY 2
V+	= Encoder power supply output
GND	= 0V Encoder power supply
LOAD	= Load quota input (connect a N.O. contact between pin 9 and pin 8)
/	= Reserved
B	= Encoder input channel B (PIN 11. IN CASE OF MONODIRECTIONAL SENSORS, CONNECT TO GND)
A	= Encoder input channel A (PIN 12)
Z	= Encoder input channel Z (PIN 13)

NOTES:

- CONNECT THE CABLE METAL BRAID TO THE EARTHING SYSTEM.
- THE MAX. CAPACITY OF RELAY CONTACTS IS 250 Vac 3A.

DIMENSIONS



WARNING!!

- Do not switch on the instrument unless the machine conforms to 98/37/EC regulations.
- All the equipment connected to the instrument must be provided with the insulation characteristics conforming to the current regulations.
- The installation of the instrument must be carried out by authorised skilled staff who will follow the regulations stated by the Manufacturer.
- To avoid explosion or fire, the readout should not be used or kept in proximity of inflammable or explosive gas, etc.
- It should be removed by skilled staff only and the electrical plug must be disconnected.
- There must be an approved mains switch on the AC power line which the instrument is connected to. Such switch must be placed close to the instrument.
- Ensure the instrument is switched off before cleaning it. Please consider that it is not protected against the penetration of liquids. Do not use solvents. Use a damp cloth for cleaning.
- Install the measuring scale (or encoder) following the Manufacturer's instructions.