
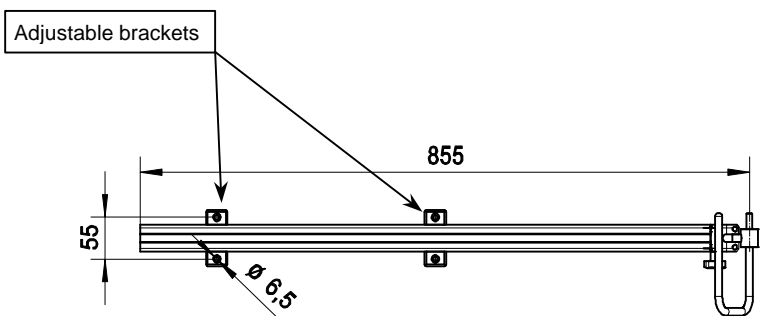

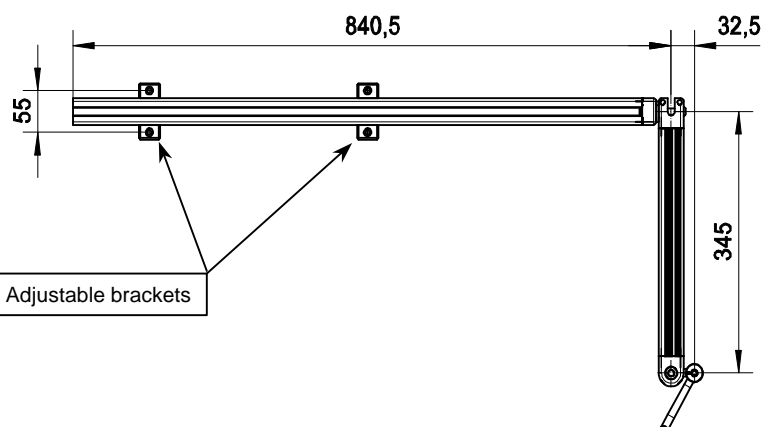



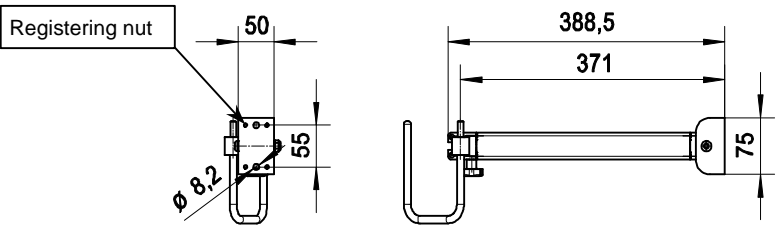
Code	Project	Revision	Title
<i>ST02</i>	<i>A32</i>	<i>A</i>	<i>TECHNICAL DATASHEET</i>

SUPPORTING ARMS FOR DRO


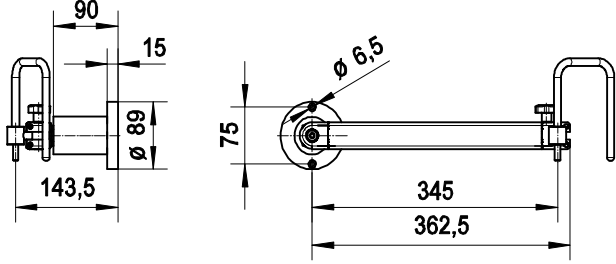
LIST OF AVAILABLE MODELS


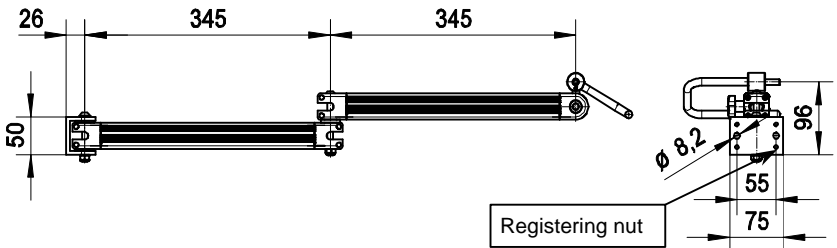
Mod.1		<p>VERTICAL FIXING</p>  <p>Adjustable brackets</p>	
--------------	--	---	--

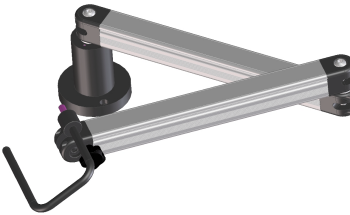
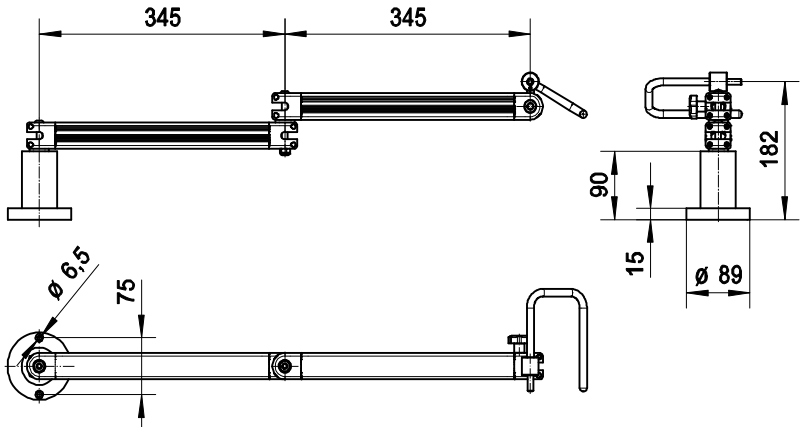
Mod.2		<p>VERTICAL FIXING WITH SINGLE HINGED ARM</p>  <p>Adjustable brackets</p>	
--------------	---	--	--

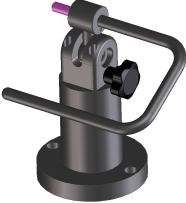
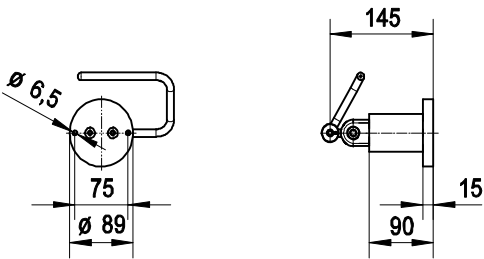
Mod.3		<p>WALL FIXING WITH SINGLE HINGED ARM</p>  <p>Registering nut</p>	
--------------	---	--	--

Code	Project	Revision	Title
<i>ST02</i>	<i>A32</i>	<i>A</i>	<i>TECHNICAL DATASHEET</i>

Mod.4		SURFACE FIXING WITH SINGLE HINGED ARM
		

Mod.5		WALL FIXING WITH DOUBLE HINGED ARM
		

Mod.6		SURFACE FIXING WITH DOUBLE HINGED ARM
		

Mod.7		SURFACE FIXING
		

Note: Arm section 35x35mm

