

ST02	A39-A	D	
-------------	--------------	----------	--

VISION 900



- AWS
- 5.7" (SSi) LCD LED
- 4 USB, Touch Probe, CAN bus RS-232.
- 0.1
- (RS-422: Clock, Clock, Data, Data)
- 1000
- :

(AWS).



	1000 - 500 - 200 - 100 - 50 - 20 - 10 - 5 - 2 - 1 - 0.5 - 0.2 - 0.1 * 1° - 0.5° - 0.2° - 0.1° - 0.05° - 0.02° - 0.01° - 0.005° - 0.002° - 0.001°
	5.7" LCD LED
	2 90° ± 5° + 5 /
	300
(SSi)	RS-422 – Clock, Clock, Data, Data
	230 / ± 10% - 50/60 / 110 / ± 10% - 60 / 24 / ± 10% - 50/60
	60 (230 /) / 120 (110 /) / 500 (24 /)
	D-SUB 9p F (), D-SUB 9p M (RS-232, CAN bus, Touch Probe), USB-B (USB)
(EN 60529)	IP 40 IP 54
	0 °C ÷ 50 °C
	-20 °C ÷ 70 °C
	1120
	CAN

* 0.1 1600

(SSi)	
	125 / 250 / 500
	8-32
	Gray



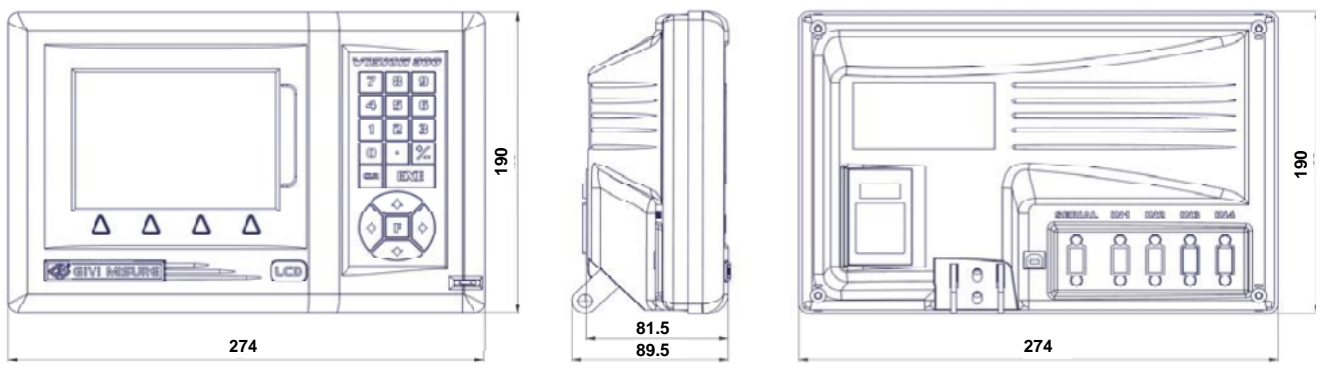
-
-
-
-
-
-
-

2006/42/EC

ST02	A39-A	D	
-------------	--------------	----------	--



	(REF)		F 64	
	/		F 66	
	/		F 68	
F 0			F 69	
F 9			F 70	
F 26			F 72	
F 28			F 74	
F 30			F 78	
F 31			F 80	
F 32			F 82	/
F 34	/		F 89	
F 36			F1 - F8	
F 37			HELP	
F 38			INFO	
F 44			TOOLS 100	
F 46			ORG 100	
F 48			CALC	
F 50			CRONO	
F 52			F 98718	
F 54			F 98757	
F 55			F 98760	
			F 98762	
			F 98771	SSI



271x187



VI9	3	3	TO	230V	0	1	2
------------	----------	----------	-----------	-------------	----------	----------	----------

2 = 2	2 = 2	IN =	230V = 230 /	0 =	1K = 1000	2 = SSI	
3 = 3	3 = 3	TO =	110V = 110 /	1 =	10 = 100	3 = SSI	+
4 = 4	4 = 4	FR =	24V = 24 /		100 = 10		CAN (*)
		FV =			1 = 1		
		FT =			0.1 = 0.1	(*)	RB900
		AL =			1G = 1°		
					0.5G = 0.5°		


VI933 TO 230V 0 1 2